

Service Manual



Hi-Fi Speaker System SB-G600 [PC], [XA]

Areas

- * [PC] is available in European Audio Club.
- * [XA] is available in Southeast Asia, Oceania, Africa, Middle Near East and Central South America.

Specifications (Specifications are subject to change without notice for further improvement)

Type:	3 way 3 speaker system
Speakers:	Woofer: 35 cm cone type Midrange: 12 cm cone type Tweeter: 6.5 cm cone type
Impedance:	8 ohms
Input Power:	150 W, Music
Output Sound Pressure Level:	96 dB/W (1.0 m)
Crossover Frequency:	300 Hz, 3,000 Hz
Frequency Range:	40 Hz ~ 20 kHz (-20 dB)
Dimensions:	39.6(W) x 60.0(H) x 30.5(D) cm
Weight:	12 kg

Especificaciones (Estas especificaciones están sujetas a cualquier cambio sin previo aviso.)

Tipo:	Sistema con 3 altoparlantes
Altoparlantes:	"Woofer": tipo cónico, de 35 cm "Gama media": tipo cónico, de 12 cm "Tweeter": tipo cónico, de 6.5 cm
Impedancia:	8 ohmios
Capacidad de potencia:	150 vatios, música
Nivel de presión acústica de salida:	96 dB/W (1.0 m)
Frecuencia de cruce:	300 Hz, 3,000 Hz
Alcance de frecuencia:	40 Hz ~ 20 kHz (-20 dB)
Dimensiones:	39.6(ancho) x 60.0(alto) x 30.5(prof.) cm
Peso:	12 kg

Technics

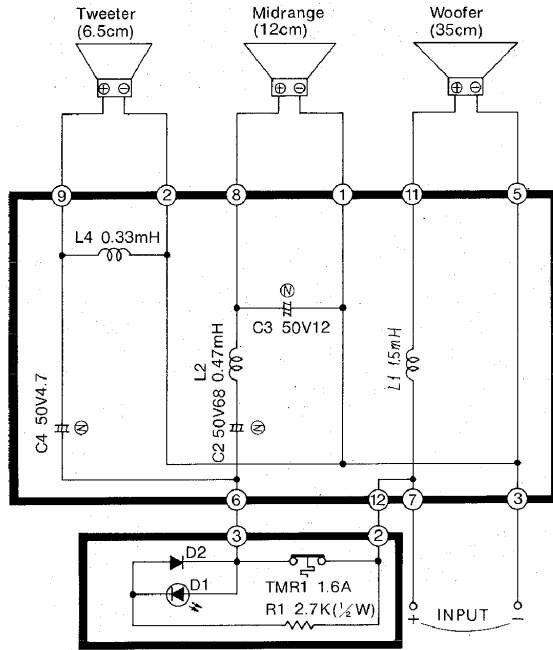
Panasonic Tokyo
Matsushita Electric Industrial Co., Ltd.
1-2, 1-chome, Shibakoen, Minato-ku, Tokyo 105 Japan

Matsushita Electric Trading Co., Ltd.
P.O. Box 288, Central Osaka Japan

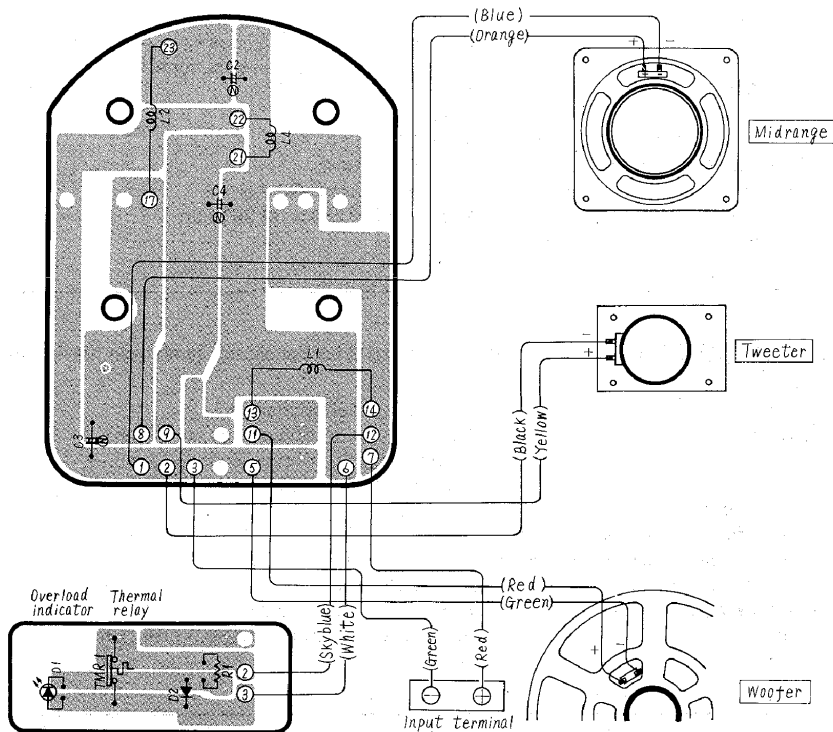
SB-G600

■ SCHEMATIC DIAGRAM

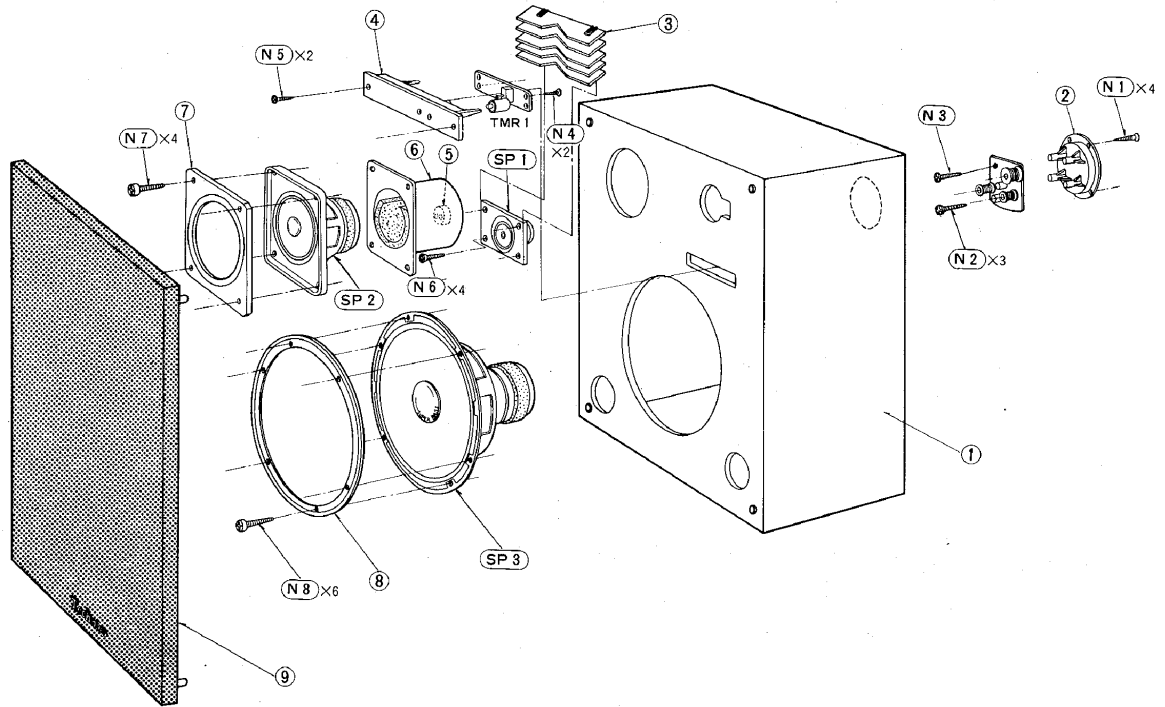
(This schematic diagram may be modified at any time with the development of new technology)



■ CIRCUIT BOARD AND WIRING CONNECTION DIAGRAM



EXPLODED VIEW



REPLACEMENT PARTS LIST

Notes: 1. Part numbers are indicated on most mechanical parts. 2. Bracketed indications in Ref. No. columns specify the area. Parts without these indications can be used for all areas.

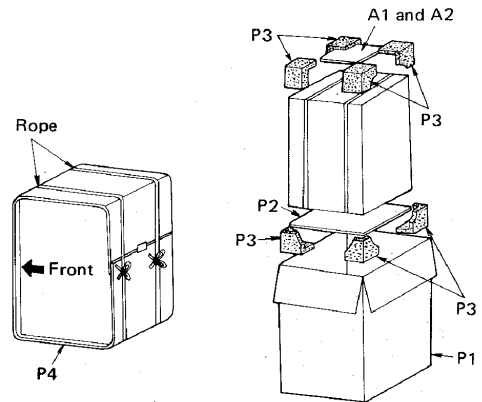
Ref. No.	Part No.	Part Name & Description
SPEAKER		
SP1	EAS10PH33S	Tweeter
SP2	EAS12PM205S	Midrange
SP3	SASS33PL01-T	Woofer
DIODES		
D1	LN21CP	Light Emitting Diode
D2	MA162A	Diode
COILS		
L1	SLCSE152JU	Coil 1.5mH
L2	SLCSC471KU	Coil 0.47mH
L4	SLCSC331KU	Coil 0.33mH
RESISTOR		
R1	ERD50FJ272	Resistor, Carbon 1/2W 2.7kΩ ±5%
CAPASITORS		
C2	ECEA50Y68K	Electrolytic Capacitor, 50V 68μF
C3	ECEA50Y12K	Electrolytic Capacitor, 50V 12μF
C4	ECEA50Y4R7K	Electrolytic Capacitor, 50V 4.7μF

Ref. No.	Part No.	Part Name & Description
BREAKER		
TMR1	SSBS16AB02-1	Breaker, Thermal Relay, 1.6A
CABINET PARTS		
1 [PC] only	SKABG600M	Cabinet
1 [XA] only	SKABG600X	Cabinet
2	SWT8G600M	Terminal Ass'y
3	SYES23	Diffuser, Tweeter
4	SGES73	Panel, Attenuator
5	SHG1435	Bushing, Midrange
6	SUVS6	Cover, Midrange
7	SGES72	Panel, Midrange
8	SGES66	Ornament, Woofer
9	SYBS71	Grille
SCREWS		
N1	XMS31+D13FZ	Screw, Terminal
N2	XTB4+35BFN	Screw
N3	XTB4+16BFN	Screw
N4	XTB3+8B	Screw
N5	XMS31+D20FZ	Screw
N6	XTB4+20BFZ	Screw, Tweeter
N7	SNES9006FJ	Screw, Midrange
N8	SNES9003-2FZ	Screw, Woofer

SB-G600

■ PACKINGS

Ref. No	Part No.	Part Name & Description
ACCESSORIES		
A1 (XA)	SQFS160	Instructions Book
A1 (PC)	SQFS163	Instructions Book
A2	WHCA400	Cord, Speaker
PACKING		
P1 (XA)	SPGS104-2	Carton Box
P1 (PC)	SPGS104-3	Carton Box
P2	SPSS6126	Pad, Bottom
P3	SPSS9014	Pad, Corner
P4	SPJS2-1	Polyethylene Sheet



■ HOW TO REMOVE THE TWEETER

Remove the diffuser by sliding it up as shown in Fig. 1.
Then the speaker can be removed.

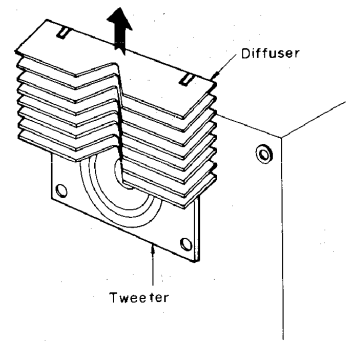


Fig. 1